

SA-1 Series

Sockets Assembly for 10mm (3/8inch) diameter photomultipliers tubes (PMT)



This socket assembly is specially designed for the PMT HAMAMASTU R1635 (R2496 on demand)

Contains:

- ✓ HV DC/DC converter
- ✓ resistive divider
- ✓ Socket E678-11N

Reference : SA15N102-E678-11N-C1



General Description

Miniature and lightweight	Tight line/load regulation	Power consumption <600mW
Soft switching technics	Unbuffered anode signal	Low ripple (<0.01%)
RoHS	Potted with an silicon resin	Socket E678-11N equipped

Parameters	Specifications
Output Voltage	0 to -1000Vdc (negative)
Input supply	15±0.5Vdc / 0.6W max
Control voltage	0 to +5V (input impedance: 1MΩ)
Ripple	0.01 %V/Vp-p
Switching frequency	~850kHz
Accuracy	±2 % at full scale
Stability	100ppm/°C
Signal	Raw signal (unbuffered)
Input connecteur	MOLEX 053048-0410 (PicoBlade)
Socket	E678-11N
Case material	Brass, fully potted with a silicone resin (the case is internally grounded)

Voltage Distribution Ratio:

Function	Kathode	Dy1	Dy2	Dy3	Dy4	Dy5	Dy6	Dy7	Dy8	Anode
Pin #	11	2	10	3	9	4	8	5	7	6
z	2R	2R	R	R	R	R	RC	RC	RC	

R=330KΩ C= 10nF

Input connector pins assignation	
Pin #	Function
1	0V
2	Control input
3	+Vin
4	Anode signal



SDS HIGH VOLTAGE
 18 avenue Raspail
 94100 SAINT MAUR DES FOSSES -France
 +33(0)1 48 76 88 45
contact@sdsHV.com
www.sdsHV.com

Rev 1 – May 21

SA-1 Series

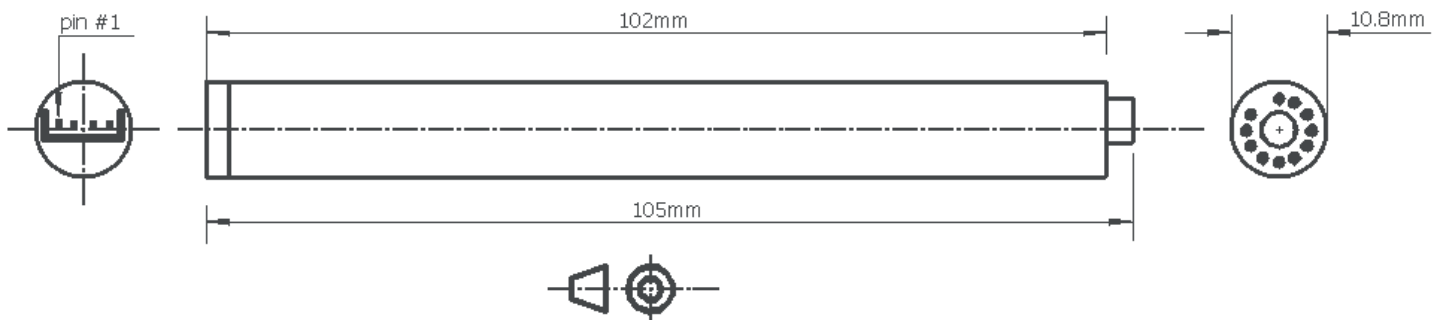
Sockets Assembly for 10mm (3/8inch) diameter photomultipliers tubes (PMT)

Functional diagram

Example of use with a DAC as a setting method:



Mechanical details



Ordering information

SA15N102-E678-11N-C1 (Other models are possible on demand.)



SDS HIGH VOLTAGE
18 avenue Raspail
94100 SAINT MAUR DES FOSSES -France
+33(0)1 48 76 88 45
contact@sdshv.com
www.sdshv.com

Rev 1 – May 21